



FireHalt[®] Gold

Cavity Fire Barrier

A Revolution in Flexible Fire Protection

Integrity and Insulation

A cavity fire barrier to provide compartmentation of structures and halt the passage of smoke and flame. Satisfies the requirements of Building regulations 1991 Approved Document B, for cavity fire barriers

When seeking full compliance to Building Regulation 1991 Approved Document B for Cavity Barriers Fire-Halt Gold provides you with an effective and low cost solution

**Be safe, be sure.....
fit Firehalt[™] Flexible Fire Barriers**

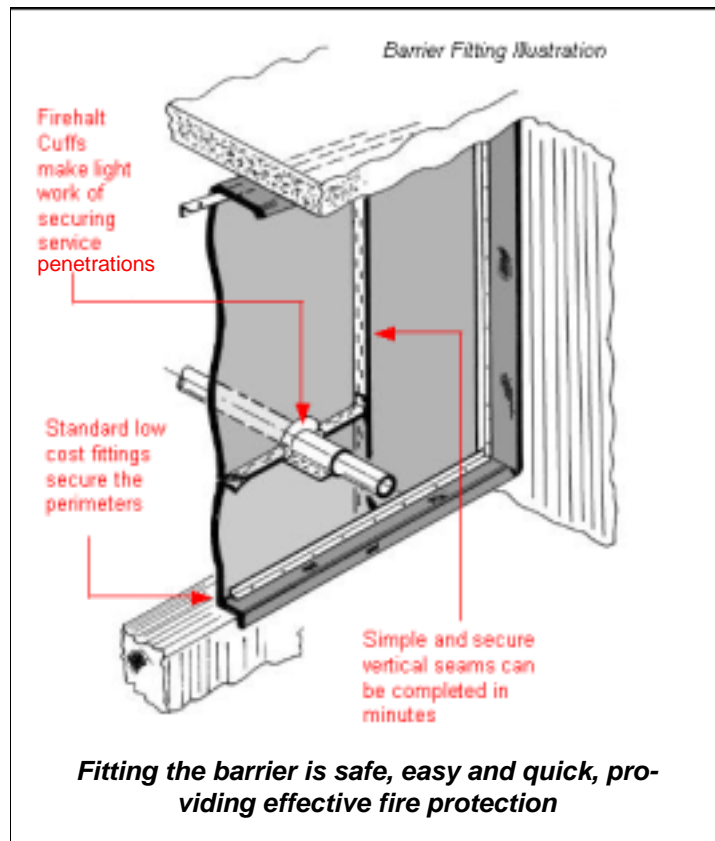
Performance

Firehalt Gold provided Integrity to 120 minutes, insulation to 30 minutes, when tested at Warrington Fire Research Centre to BS 476 parts 20/22

Test Report Number:
WARRES 106496

Product Details

Integrity	120 minutes
Insulation	30 minutes
Lightweight	2.0 kg/m ²
Thin	8 mm
Clean and Safe to Handle	No respirable fibres. No potentially harmful chemical treatments
Easy and Quick to install	No special tools, adhesives or fixings required
Fit from one side only	Save time, save money



Availability

Length	7.0m	Width	1.2m
Area	8.4m ²	Weight	18kg

Packaging

Firehalt Gold is folded and packaged individually in polythene sleeving with easy to follow, fully illustrated fitting instructions with each pack

Culimeta Textilglas-Technologie GmbH & Co. KG

Max-Planck-Strasse 15-19 / DE-49593 Bersenbrück / Germany

Phone: +49 (0) 5439 / 94 16-0 / Fax: +49 (0) 5439 / 94 16-10 / Email: info@culimeta.de

www.culimeta.de



Product Datasheet

FireHalt Fire Barriers

FireHalt Gold

Introduction:

FireHalt Gold is a symmetrical cavity fire barrier designed to provide compartmentation of structures and halt the passage of smoke and flame. Satisfies the requirements of Building regulations 1991 Approved Document B, for cavity fire barriers. Manufactured from specially treated woven fabrics and insulation layer laminates. FireHalt Gold has been extensively tested and provides 120 minutes integrity and 30 minutes insulation when tested to BS 476 parts 20/22. FireHalt barriers contain no respirable fibres, are extremely light-weight and are easy to fit with no special tools required.

Properties:

FireHalt Gold: is user friendly, flexible, durable and easy to manipulate and cut to shape
is non combustible.
is non toxic

Colour: Blue/Green

Coating: Proprietary non corrosive chemical treatment

Weave: Satin

Thickness: < 8 mm

Weight: < 2 kilograms per m²

Specifications:

Firehalt Gold provides 120 minutes integrity with 30 minutes insulation when tested to
BS 476: parts 20/22: 1987
Tested by Warrington Fire Research. Report No. Warres No. 106496
Satisfies the requirements of Building regulations 1991 Approved Document B, for cavity fire barriers.

Chemical:

E'Glass	SiO ₂	54.1%	Al ₂ O ₃	15.3%
	CaO	17.3%	MgO	4.7%
	Na ₂ O	0.6%	B ₂ O ₃	8.0%

Availability

Width:	120cm	Packed:	Convolutd and individually wrapped in polythene sleeving with fitting instructions
Roll Length:	7m Standard		
Roll Area:	8.4 sq. metres		

The information on this Data Sheet is strictly for guidance only and while provided in good faith cannot be guaranteed. The company reserves the right to alter or update this data as and when additional information is received. The Company's products are used in a wide range of applications over which the Company has no control therefore the Company excludes all conditions or warranties whether expressed or implied as to the fitness of the product for any particular purpose. Customers must establish product suitability via their own tests

Culimeta Textilglas-Technologie GmbH & Co. KG

Max-Planck-Strasse 15-19 / DE-49593 Bersenbrück / Germany

Phone: +49 (0) 5439 / 94 16-0 / Fax: +49 (0) 5439 / 94 16-10 / Email: info@culimeta.de

www.culimeta.de



FireHalt[®] SF

Smoke & Flame Barrier

A Revolution in Flexible Fire Protection

Integrity Only

A lower cost option smoke and flame barrier where integrity only is the requirement of the barrier within a fire engineered solution.

When seeking an Integrity only smoke and flame barrier FireHalt SF leads the way. High performance coupled with low cost.

**Be safe, be sure.....
fit Firehalt[™] Flexible Fire Barriers**

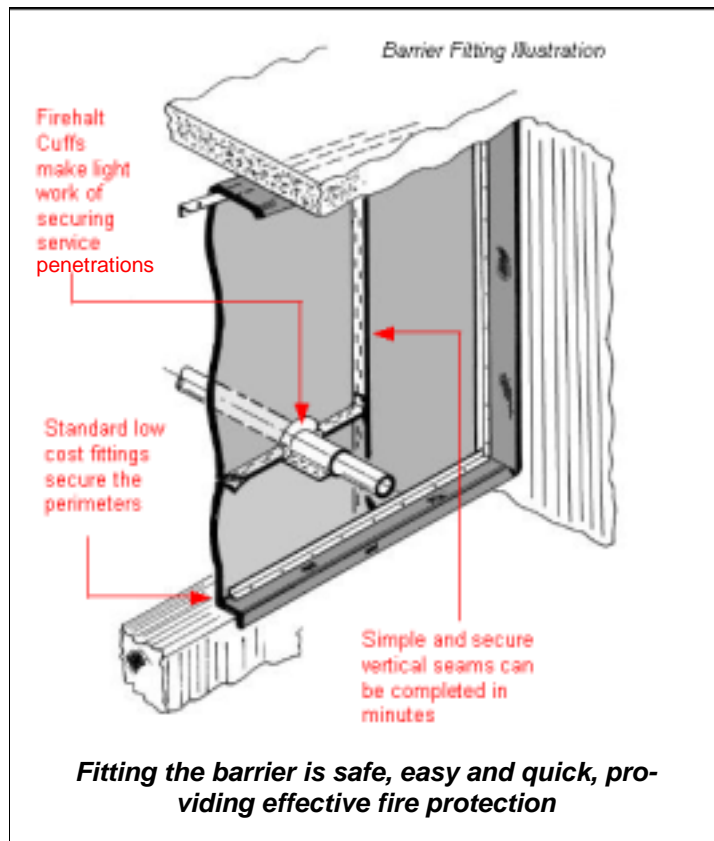
Performance

Firehalt SF provided Integrity to 120 minutes when tested at Warrington Fire Research Centre to BS 476 parts 20/22

Test Report Number:
WARRES 106497

Product Details

Integrity	120 minutes
Lightweight	0.45 kg/m ²
Thin	0.45 mm
Clean and Safe to Handle	No respirable fibres. No potentially harmful chemical treatments
Easy and Quick to install	No special tools, adhesives or fixings required
Fit from one side only	Save time, save money



Availability

Length	25.0m	Width	1.2m & (205cm)
Area	30m ²	Weight	15kg

Packaging

Firehalt SF is rolled on cardboard mandrels and packaged individually in polythene sleeving with easy to follow, fully illustrated fitting instructions with each pack

Culimeta Textilglas-Technologie GmbH & Co. KG

Max-Planck-Strasse 15-19 / DE-49593 Bersenbrück / Germany

Phone: +49 (0) 5439 / 94 16-0 / Fax: +49 (0) 5439 / 94 16-10 / Email: info@culimeta.de

www.culimeta.de



Product Datasheet

FireHalt Fire Barriers

FireHalt SF

Introduction:

FireHalt SF is a symmetrical smoke and flame barrier or curtain manufactured from specially treated woven glass fabric. FireHalt SF is the non insulating version of the FireHalt flexible fire barrier system and is designed for use where integrity only is the requirement of the barrier within a fire engineered solution. FireHalt SF has been extensively tested and provides 120 minutes integrity when tested to BS 476 parts 20/22. FireHalt barriers contain no respirable fibres, are extremely lightweight and are easy to fit with no special tools required.

Properties:

FireHalt SF: is user friendly, flexible, durable and easy to manipulate and cut to shape
is non combustible.
is non toxic

Colour: Blue/Green

Coating: FireHalt, proprietary non corrosive chemical treatment

Weave: Satin

Thickness: 0.4 mm

Weight: < 450 gsm

Specifications:

Firehalt SF provides 120 minutes integrity when tested to **BS 476: parts 20/22: 1987** Tested by Warrington Fire Research. Report No. Warres No. 106497

Also meets

BS 476 part 6: 1989 Class O (Fire propagation)
BS 476 part 7: 1987 Class 1 (Surface spread of flame)

Tested by Wiratec Report No. 2721221099 (BTTG)

Chemical:

E'Glass	SiO2	54.1%	Al2O3	15.3%
	CaO	17.3%	MgO	4.7%
	Na2O	0.6%	B2O3	8.0%

Availability

Width:	120 cm / 205 cm	Packed:	Polythene wrapped roll on cardboard mandrel with fitting instructions
Roll Length:	25m Standard		
Roll Area:	30 sq. metres		

update this data as and when additional information is received. The Company's products are used in a wide range of applications over which the Company has no control therefore the Company excludes all conditions or warranties whether expressed or implied as to the fitness of the product for any particular purpose. Customers must establish product suitability via their own tests

Culimeta Textilglas-Technologie GmbH & Co. KG

Max-Planck-Strasse 15-19 / DE-49593 Bersenbrück / Germany

Phone: +49 (0) 5439 / 94 16-0 / Fax: +49 (0) 5439 / 94 16-10 / Email: info@culimeta.de

www.culimeta.de